

Residential & Potable Water

200MJ

# MULTI JET WATER METER



Sr.No. 20 200 00002

0000250 m<sup>3</sup>

ISO 4064  
Multi Jet DN 15  
Q<sub>3</sub>2,5; R80H  
T30; MAP16; ΔP63  
IP 68; U0 D0  
Accuracy class 2

**blu** METER



**blu** METER

blumeter.in

## Application

The Impeller Dry Dial type cold and hot water meters are of compact design and are used for the physically correct acquisition of cold or hot water consumption. They consist of flow measuring section and processor.

The meters measure the consumption of water in Domestic water systems of residential or non-residential buildings. ●

Any type of water supply system. ●

Such systems are installed in

Residences ●

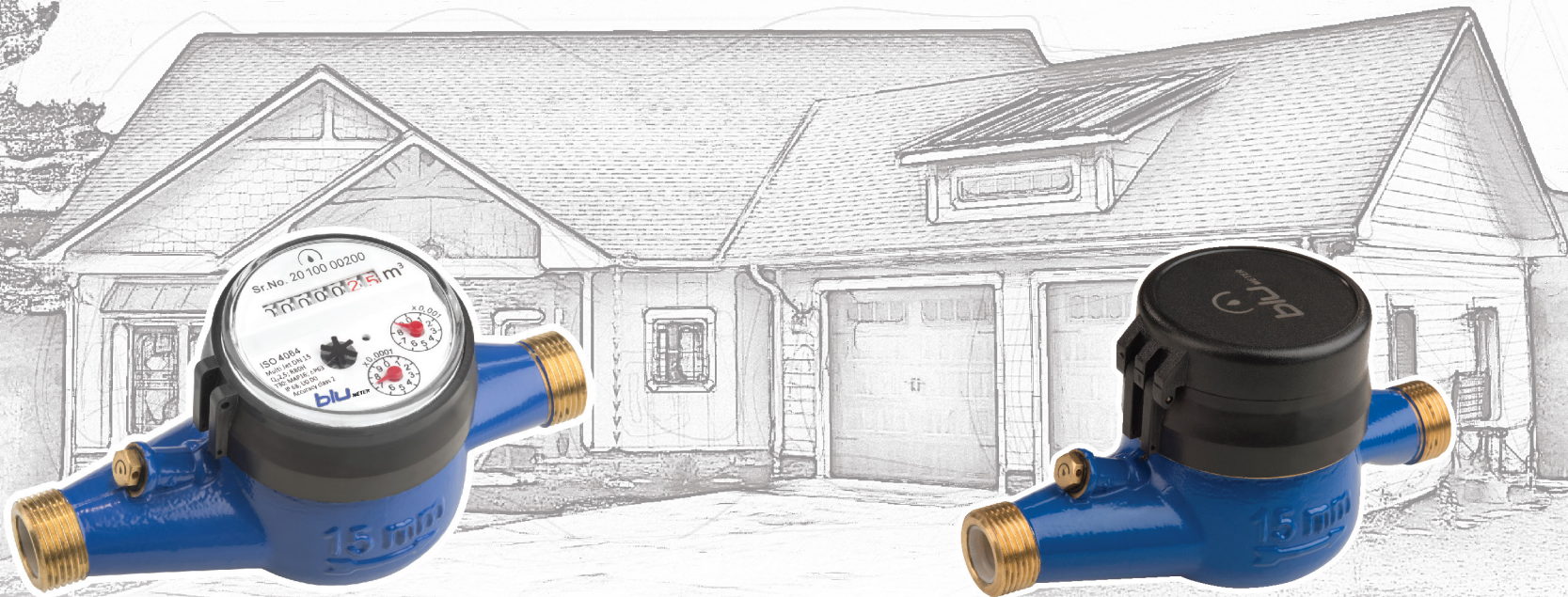
Office and administrative buildings. ●

Typical users are

Municipal corporation ●

Private building owners and property associations. ●

Building maintenance companies and housing estate agents. ●



Water meters are conforming to ISO : 4064 Class-B use with potable water in accordance with international regulations.

## Specifications

### Brass Casted Body

Dual pivot system for balanced impeller rotation under any flow rate and installation conditions. pivots are made of non-magnetic AISI 316 stainless steel protection against external magnetic fields.

### Internal adjustment device

Internal components are made of an-hygroscopic, anti-scaling and hard-wearing resistant plastic materials.

Hydraulic tests are carried out at three flow rates Q1, Q2, and Q3, on 100% of the production.

### Our testing benches comply with ISO-4064 Standard

A non return valve fitted into the coupling comes as an option.

Direct reading on 7 numeric rolls.

360° rotation dry dial.

Maintenance free meters.



Specifications

## Function

The compact, mechanical impeller type water meter consist of flow measures section and totalizer.

The water passing through the flow measuring section drives the multi-jet impeller wheel.

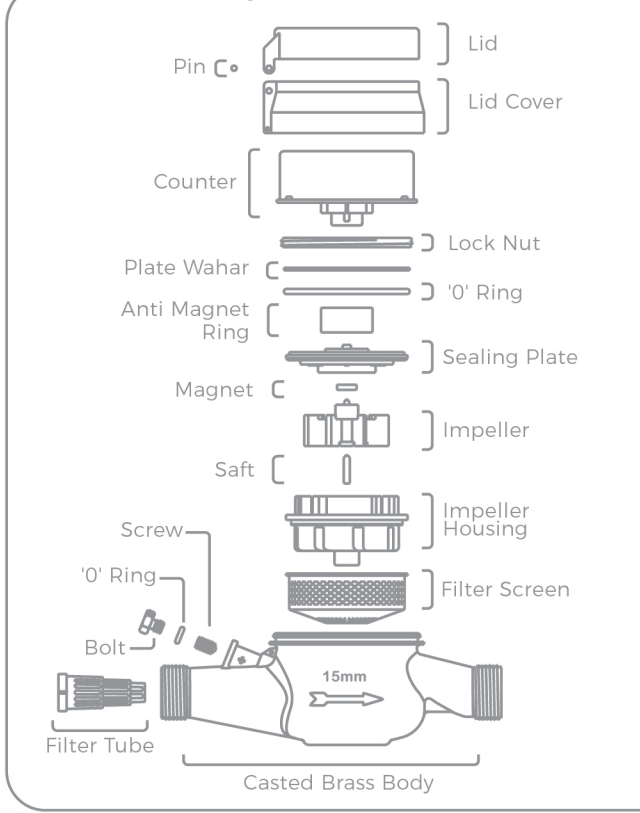
A magnetic clutch with built-in magnet protection transfer the flow value to the totalizer for indication by the 7-roll counter.

Function

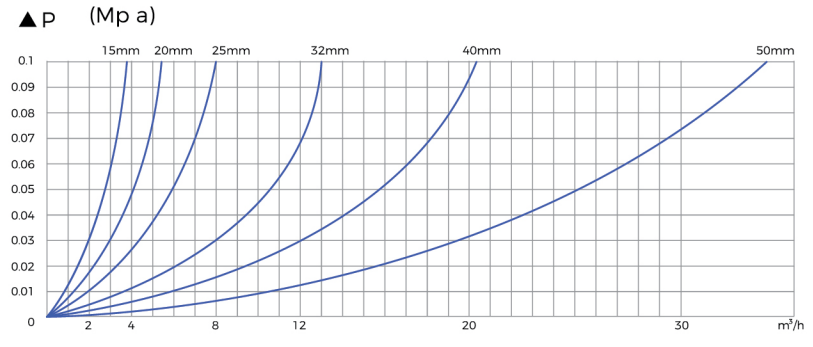
# Technical Features

SIZE	mm (in)	15 (1/2")	20 (3/4")
Metrology*	Class	B	
Minimum Flow rate - Q <sub>min</sub> .	L/h	30	50
Transitional Flow rate - Q <sub>t</sub> .	L/h	120	200
Nominal Flow Rate - Q <sub>n</sub> .	m <sup>3</sup> /h	1.5	2.5
Maximum Flow rate - Q <sub>max</sub> .	m <sup>3</sup> /h	3	5
Max. permissible error Q <sub>1</sub> to Q <sub>2</sub> Q <sub>2</sub> to Q <sub>4</sub>		+/- 5% +/- 2%	
Head Loss at Q <sub>max</sub> .	Bar	<1	
Minimum reading	L	0.05	
Maximum value	m <sup>3</sup>	99999.999	
Counter		1 revolution = 1 liter	
Nominal pressure	L	16	
Temperature Class		50°C	
Indication		7-rolls counter Accumulated value in m <sup>3</sup>	
Degree of protection		IP67	

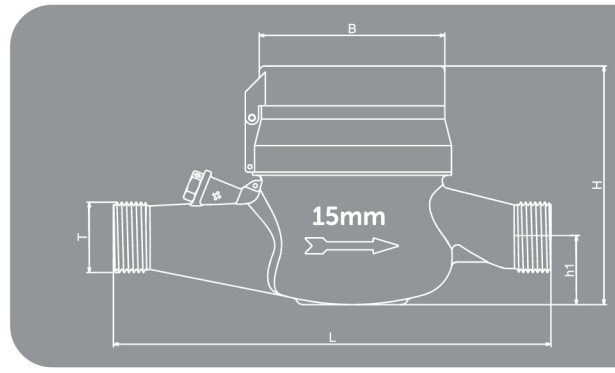
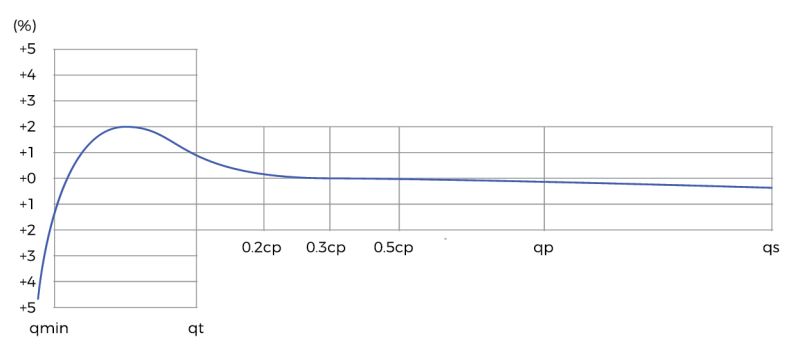
# Assembly



# HEAD LOSS



# FLOW ERROR



Size	mm (in)	15 (1/2")	20 (3/4")
L	mm	165	190
H	mm	90	90
h1	mm	25	25
B	mm	70	70
T	Inch	3/4"	1"
Weight	Kg.	0.290	0.985



## Accessories



RUBBER WASHER



CHECK VALVE



NIPPLE



NUT

## MULTI JET WATER METER



Pulse Output Counter

An ISO 9001 : 2015 Certified Company



EVERY DROP COUNTS



A Quality Product Of  
**FIVESTAR BRASS INDIA LIMITED**

3730, G.I.D.C, PHASE-3, JAMNAGAR. 361004. INDIA.  
Ph. : +91 - 288 - 2730835/36/37/38

 [blumeter.in](http://blumeter.in)

 [info@blumeter.in](mailto:info@blumeter.in)



Toll Free No.: 1800 233 1212